



Features

- Ability to operate line voltage 3-speed fan motor with low voltage controls
- Compatible with 4-pipe, 2 pipe, heat pump, auto-changeover
- 20 VA 24 VAC power supply
- Suitable for 1/8 HP motors
- 1/4" Quick connect terminals
- Mounts with standard 3" track

Mode of Operation

The ICM6200 allows a line voltage (115 VAC) 3-speed fan to be controlled via a low voltage (24 VAC) signal or thermostat, and also provides low voltage heating/cooling valve control.

Specifications

Input:

- **Transformer Primary:** 115 VAC; 50/60 Hz
- **Fan Inputs HI, MED, LOW:** Nominal 17 mA @ 24 VAC
- **Heat & Cool:** 1.5 A @ 24 VAC

Outputs:

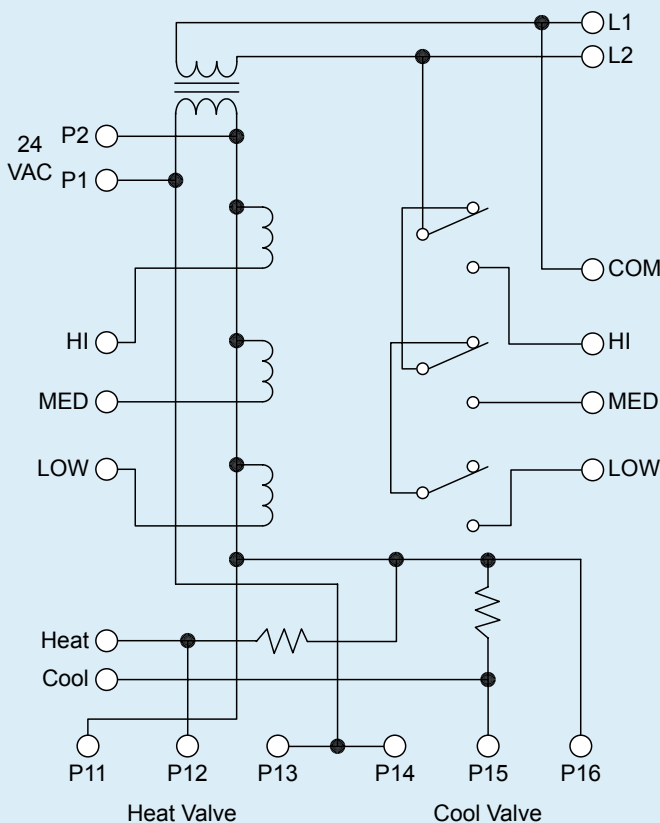
- **Transformer Secondary:** 24 VAC; 20 VA
- **Relay Outputs H, M, L:** 1/8 HP @ 115 VAC, 10 A @ 240 VAC resistive max
- **Heat & Cool Valves:** 1.5 A @ 24 VAC

Mechanical:

- 5.850" x 3.000" x 1.850" – Mounts in standard 3" track

Replaces: Honeywell: W6380B
Xactone: FC/H-2

ICM6200 Wiring Diagram – Internal



ICM6200 Wiring Diagram – External

