

Features

- Ability to operate line voltage 3-speed fan motor with low voltage controls
- Compatible with 4 pipe and 2 pipe systems with auto-changeover
- 20 VA 24VAC power supply
- Suitable for 1/8 HP motors
- 1/4" Quick connect terminals
- Mounts with standard 3" track

Mode of Operation

The ICM6202 allows a line voltage (115 VAC or 240 VAC) 3-speed fan to be controlled via a low voltage (24 VAC) signal or thermostat, and also provides low voltage heating/cooling valve control.

ELECTRICAL SHOCK HAZARD



Installation of the ICM6202 shall be performed by trained technicians only. Adhere to all local and national electric codes. Disconnect all power to the system before making connections.

Installation

1. Cut JW1 jumper for 120 VAC applications.
2. Cut JW2 and JW3 jumpers for 240 VAC applications.
3. Install per wiring diagrams.
4. Test operation.

Specifications

Input:

- Transformer Primary: 115 VAC or 240 VAC; 50/60Hz
- Fan Inputs HI, MED, LOW: Nominal 17mA @ 24 VAC
- Heat & Cool: 0.83A @ 24 VAC

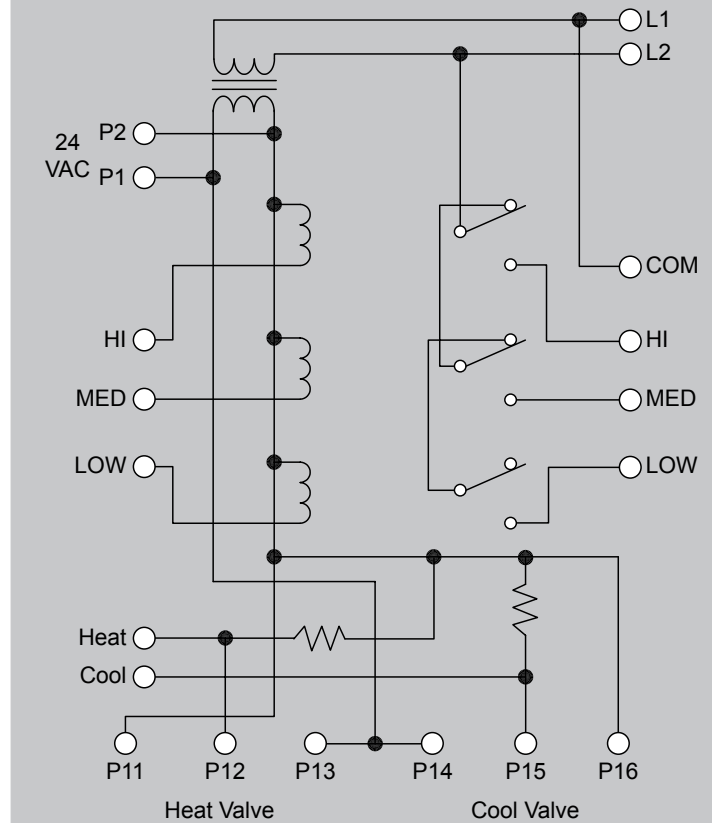
Outputs:

- Transformer Secondary: 24 VAC; 20 VA
- Relay outputs H, M, L: 1/8HP @ 115 VAC, 1/4HP @ 240 VAC, 10A @ 240 VAC resistive max
- Heat & Cool Valves: 0.83A @ 24 VAC

Mechanical:

- 5.850" x 3.000" x 1.850"
- Mounts in standard 3" track

ICM6202 Wiring Diagram - Internal



ICM6202 Wiring Diagram - External

