



Features

- Ability to operate line voltage 3-speed fan motor with low voltage controls
- Compatible with 4 pipe and 2 pipe systems with auto-changeover
- 20 VA 24VAC power supply
- Suitable for 1/8 HP motors
- 1/4" Quick connect terminals
- Mounts with standard 3" track

Mode of Operation

The ICM6202 allows 3-speed fan with voltage of either 115 VAC or 230 VAC to be controlled by a low voltage (24 VAC) signal or thermostat and provides low voltage control of heating/cooling valve. To use 115 VAC 3-speed fan, cut jumper JW1. To use 230 VAC 3-speed fan, cut jumpers JW2 and JW3.

Specifications

Input:

- Transformer Primary: 115 VAC/230 VAC; 50/60Hz
- Fan Inputs HI, MED, LOW: Nominal 17mA @ 24 VAC
- Heat & Cool: 0.83A @ 24 VAC

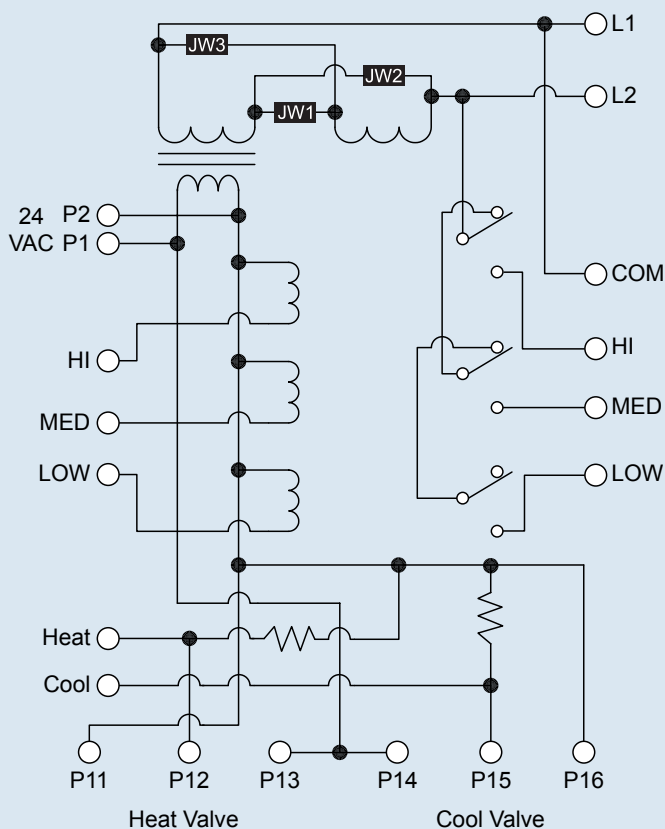
Outputs:

- Transformer Secondary: 24 VAC; 20 VA
- Relay outputs H, M, L: 1/8HP @ 115 VAC, 10A @ 240 VAC resistive max
- Heat & Cool Valves: 0.83A @ 24 VAC

Mechanical:

- 5.850" x 3.000" x 1.850"
- Mounts in standard 3" track

ICM6202 Wiring Diagram - Internal



ICM6202 Wiring Diagram - External

