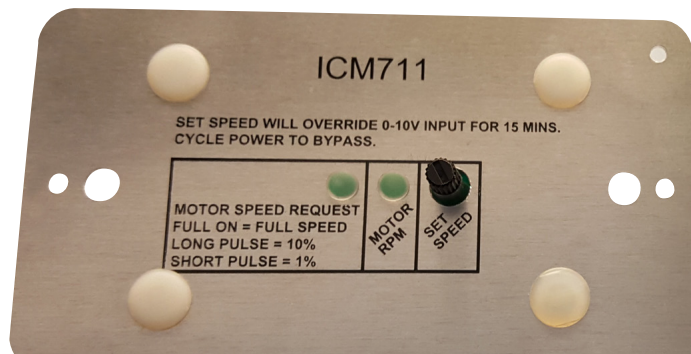




Mode of Operation

The **ICM711** is used to control the speed of an Electronically Commutated Motor (ECM) by automated control systems via a 0-10v input (**SIGNAL & COMMON**), or manually via potentiometer (**SET SPEED**). The ICM711 will also provide motor speed feedback via visual LED indication (**MOTOR RPM**) as well as a 0-10v output (**RPM & COMMON**) to supply an automated control system.

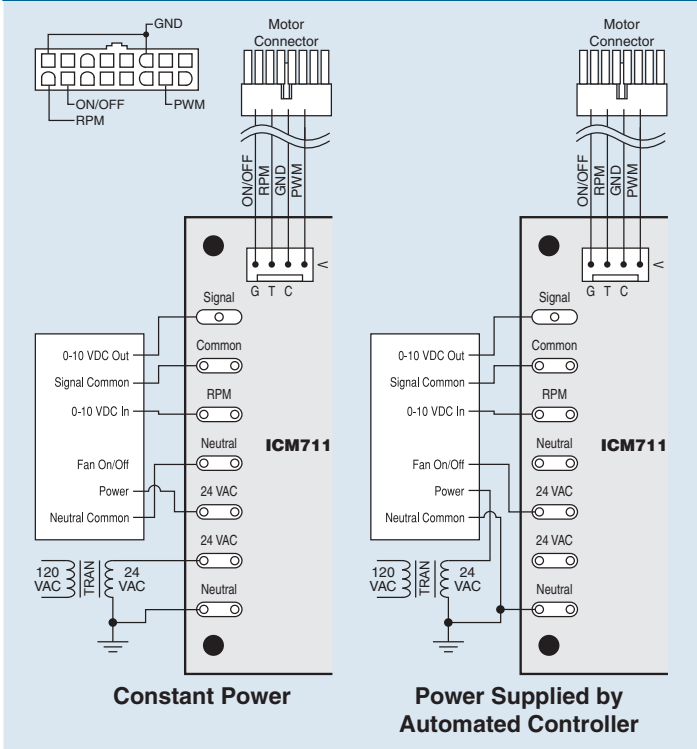


Specifications

Input:
Power supply: 18-30 VAC, 60 Hz
SIGNAL & COMMON: 0-10VDC → 0-100% PWM request
ECM supplied feedback: 5VDC (motor at rest or not connected)

Output:
PWM supplied to ECM: 18VDC (10mA max)
ON/OFF supplied to ECM: 18VDC (10mA max)
RPM & COMMON: 0-10VDC (5mA max) → 0 to 2000 RPM
 (10 RPM increments)

Wiring Diagram



Replaces

EVO™/ECM-ACU+S1