



SC900V SimpleComfort[®] PRO

L N H C FH FM FL PS RS SC

2 OR 4 PIPE FAN COIL THERMOSTAT, 3 SPEED FAN

Non-Programmable

Simplicity is in its name. ICM's SimpleComfort[®] fan coil thermostats feature innovation and technology that provides simplicity with precise control for year-round comfort and energy savings. Ideal for fan coil or baseboard applications.



- 2 or 4 pipe
- 3 speed fan
- Pipe sensor for seasonal changeover
- Universal 85-250 VAC
- Manual or auto changeover
- Selectable °F or °C
- Valve purge timer
- Remote room temperature sensor (Optional: Order ACC-RT103)
- Large backlit display
- Icons for fan and outputs
- Permanent memory
- Key pad lockout function
- Maximum heat/minimum cool set point limits
- Soft touch controls

UL[®] US LISTED TEMP. IND. AND REG. EQUIP. 4PC1



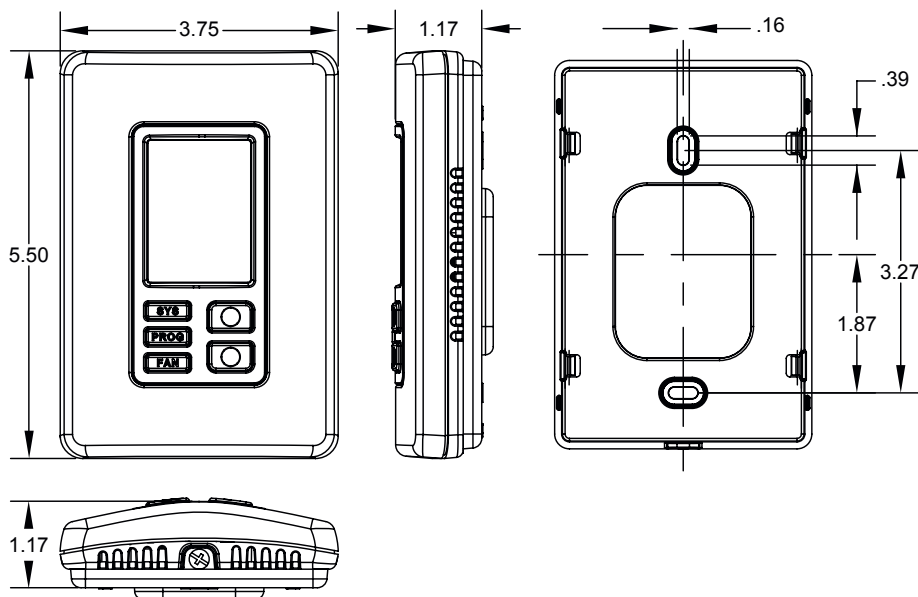
SC900V



- Fan coil thermostat
- 2 or 4 pipe
- 3 speed fan

Non-Programmable
85-250 VAC operation
Hardwired

Dimensions



Specifications

Load Ratings:

Pilot Duty 85-250 VAC, 1 DA, 60 Hz

Load Ratings – Inductive:

85-250 VAC, 6FLA, 36 LRA, 60 Hz

Temperature Control Ranges:

- 45°F to 90°F, Accuracy: ±1°F
- 7°C to 32°C, Accuracy: ±.5°C

System Configurations:

- Fan coil thermostat
- 2 or 4 pipe
- 3 speed fan

Terminations:

- **SC900V:** L, N, H, C, FH, FM, FL, PS, RS, SC

Specifications subject to change without notice.

ICM Controls also offers a cost effective version of the high voltage thermostats ... the SC700V series.

- Low cost
- Simple to use
- Easy to install



Need to monitor the temperature away from the thermostat?

Choose an ICM remote sensor.

The fast, easy solution for temperature sensing problems.

- For tamper prone areas
- Poor airflow areas
- Troubled applications
- Foam gasket prevents drafts through wall opening
- Mounts to standard 2" x 4" outlet box
- **ACC-RT103** — 2 3/4" x 4 1/2"

