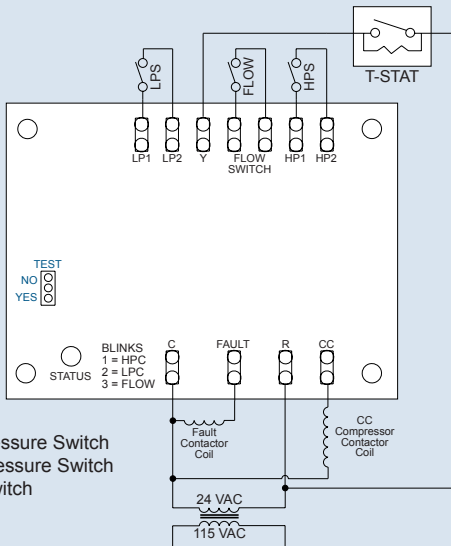


# Wiring Diagram



LPS = Low Pressure Switch  
HPS = High Pressure Switch  
Flow = Flow Switch