

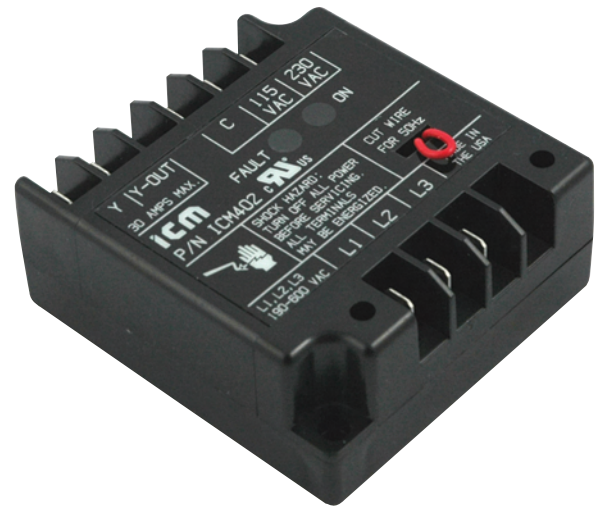
# ICM402 3 PHASE MONITOR



The ICM402 is a low cost 3-phase line monitor, with a 30 amp output that protects against phase loss, phase reversal and phase unbalance. Ideally suited to protect scroll & screw compressors from reverse rotation.

## Features

- Low cost, single side 3-phase protection
- 30 amp output
- Bright LED indicators for fault and load energized
- Easy to install, no adjustments
- Wide operating range: 190-600 VAC
- Less than 1 second phase loss response
- Automatic reset from a fault condition
- Compact packaging: fits almost anywhere
- Rugged, epoxy-encapsulation for extreme conditions
- Works great with the ICM450 for load side monitoring of part winding start motors and multiple compressor systems



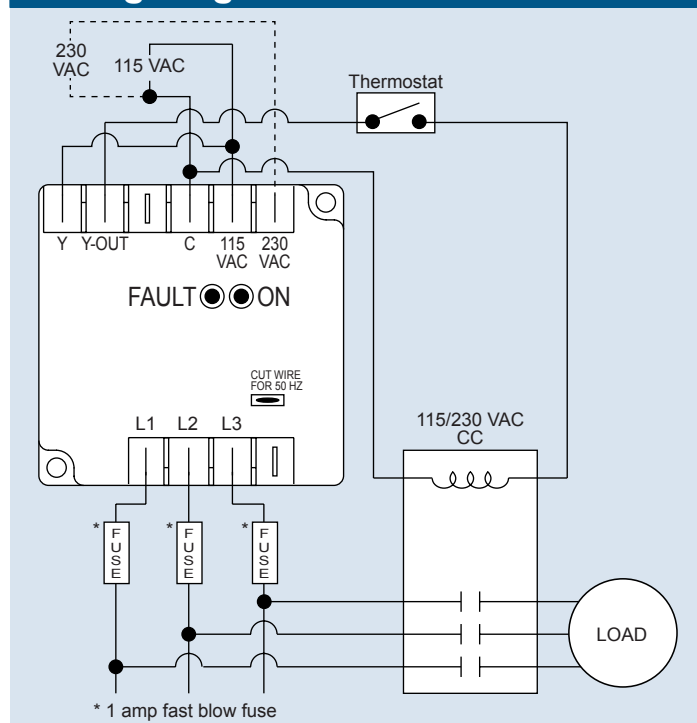
## Mode Of Operation

If all 3 phases are relatively equal and in proper sequence, the normally open contacts (Y/Y-OUT) will close when 115/230 volts is applied between C and 115/230 VAC terminals. If the phases are out of sequence, or if one is missing, the contacts will never close.

If a phase is lost while the ICM402 is energized, the contacts will open immediately and will remain open until the error is corrected.

An illuminated green LED indicates that the output is energized, and an illuminated red LED indicates that there is a fault and the output is de-energized.

## Wiring Diagram



## Specifications

### Input

- Line Voltage: 190-600 VAC
- Frequency: 50/60 Hz
- Control Voltage
  - ICM402: 115/230 VAC
  - ICM401: 18-30 VAC

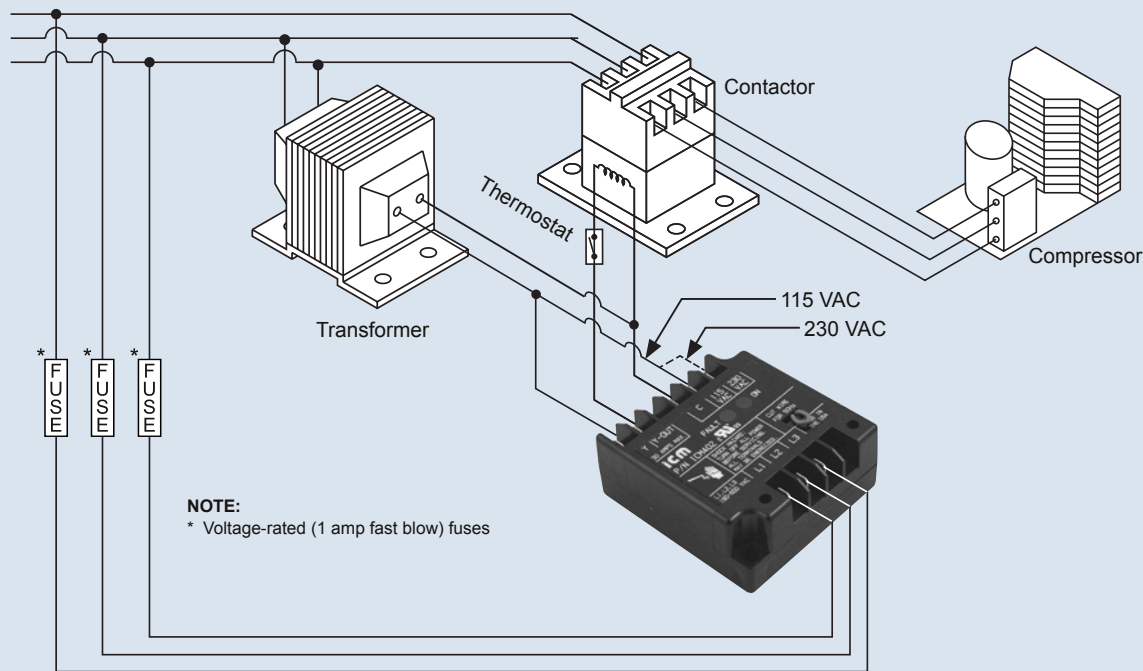
### Output

- Relay: SPST
  - ICM402: N.O. 30 amps
  - ICM401: N.O. 10 amps

### Mechanical

- Dimensions: 3.0" x 3.2" x 1.4"

## ICM402 Typical Wiring Diagram



## Typical Part Winding Start Wiring Diagram with an ICM450 and ICM402

