



Features

- Ability to operate line voltage 3-speed fan motor with low voltage controls
- Ability to operate line voltage electric heating element with low voltage controls
- Compatible with 4-pipe, 2 pipe, aquastat auto-changeover, and heat pump
- 20 VA 24 VAC power supply
- Suitable for 1/8 HP motors
- Screw terminal receptacles
- Mounts with standard 3" track

Mode of Operation

The ICM6201 allows a line voltage (115 VAC) 3-speed fan to be controlled via a low voltage (24 VAC) signal or thermostat, allows a line voltage electric heater to be controlled via a low voltage signal or thermostat, and also provides low voltage heating/cooling valve control and aquastat inputs.

Specifications

Input:

- Transformer Primary (L1 & L2): 115 VAC; 50/60 Hz
- HI, MED, LOW (8, 7, 6): Nominal 17 mA @ 24 VAC
- Inputs 1, 2, 3, 4, 5, Aqua Heat & Cool: 1.5 A @ 24 VAC

Outputs:

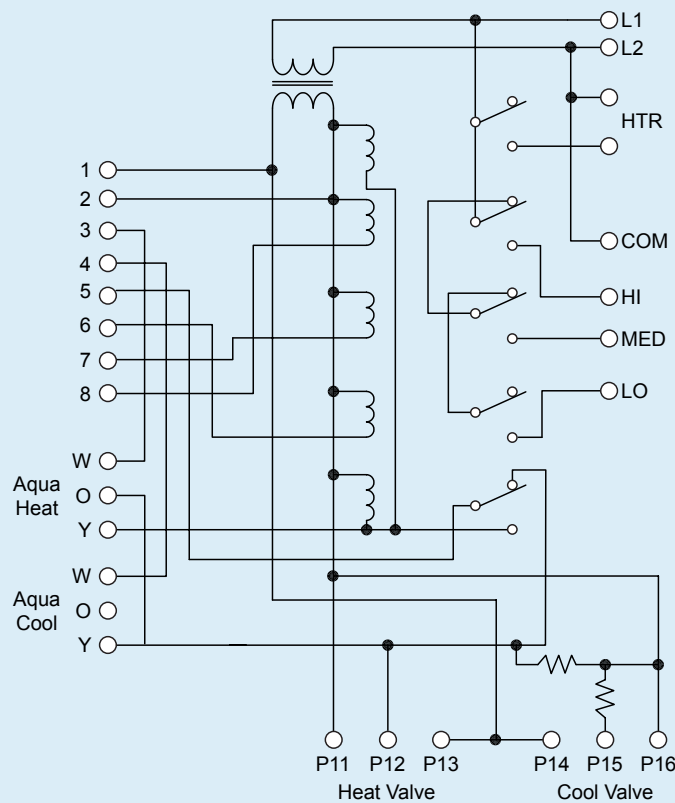
- Transformer Secondary: 24 VAC; 20 VA
- Relay Outputs H, M, L: 1/8 HP @ 115 VAC, 10 A @ 240 VAC resistive
- HTR Output: 30 A @ 240 VAC resistive
- Heat & Cool Valves: 1.5 A @ 24 VAC

Mechanical:

- 7.000" x 3.000" x 1.850" – Mounts in standard 3" track

Replaces: Xactone: FC/H-1

ICM6201 Wiring Diagram – Internal



ICM6201 Wiring Diagram – External

