



ICM531



Surge Protective Device for 3-Phase Delta 480 VAC or Wye 277/480 VAC

Please follow all State, Local and National electrical codes when installing this product. Installation should only be done by a licensed electrician for Type 1 devices or a licensed HVAC technician for Type 2 devices.



ELECTRICAL SHOCK HAZARD – Before installing this unit, turn off power at the main service panel by removing the fuse or switching the appropriate circuit breaker to the OFF position.

- **WARNING – No Serviceable Parts (Attention: Aucune pièce remplaçable ou reparable).**
- **WARNING – Shock hazard – Do not open (ATTENTION – RISQUE DE CHOC – NE PAS OUVRIR).**

Maintenance

Periodically check the LED status on the SPD. If the Greenlight is OFF, the protection is no longer available and the SPD needs to be replaced immediately. 12 AWG stranded copper wire or larger required. Product contains no serviceable parts. This device features an internal protection that will disconnect the surge protective component at the end of its useful life but will maintain power to the load – now unprotected.

Mode of Operation

The **ICM531** is a UL Listed Type 1&2 Surge Protective Device for three phase Delta 480 VAC or Wye 277/480 VAC three phase voltage configurations. When a surge occurs, the **ICM531** will absorb the surge up to the limits expressed in the specifications section of this guide. The **ICM531** incorporates thermal protection on the surge elements (TMOV's) which allows for safe disabling of the surge elements when a surge exceeds the thermal limits of the device. The **ICM531** has a status light on the control which identifies operational status when illuminated. The **ICM531** can be installed as a Type 1 or Type 2 device for both indoor and outdoor applications. Suitable for use on a circuit capable of delivering not more than 200kA RMS symmetrical amperes, 480V maximum (Convient à des circuits produisant au plus 200kA RMS A eff.", 480V maximum).

Installation Instructions

The conductors used to connect the SPD shall not be any longer than necessary and shall avoid unnecessary bends.

1. Turn off the main breaker and/or main power to the service disconnect.
2. Determine if you have a Wye or Delta configuration.
3. Verify your mains voltage and match that with **ICM531** ratings.
4. Remove the cover on service disconnect or the electrical panel.
5. Mount the **ICM531** through the 3/4" conduit connection of the electrical panel.
6. Remove the retaining ring and washer on the **ICM531**.
7. Feed the wires into the electrical panel or service disconnect.
8. Re-secure the retaining ring and washer.
9. Route the white wire to the neutral lug and secure.

Wiring Type 1 installation

- Route the three black wires to the appropriate L1, L2, L3 connections

before the breaker panel as seen in the wiring diagram for Type 1 installation and according to your local, state, and national electrical codes.

- There will be a white wire which is only used in the Wye configuration and which needs to be capped off in the Delta configuration.

Wiring Type 2 installation

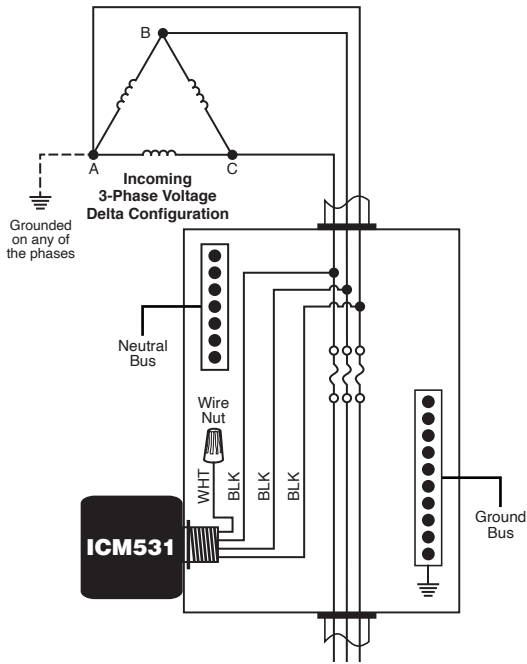
- Route and connect the three black wires (L1, L2, and L3) to the individual breakers on the circuit breaker panel as seen in the wiring diagram for Type 2 installation and according to your local, state and national electrical codes.
 - There will be a white wire which is only used in the Wye configuration and which needs to be capped off in the Delta configuration.
10. Reinstall cover on service disconnect or the electrical panel.
 11. Restore power; Green LED should be on indicating full protection.

Specifications

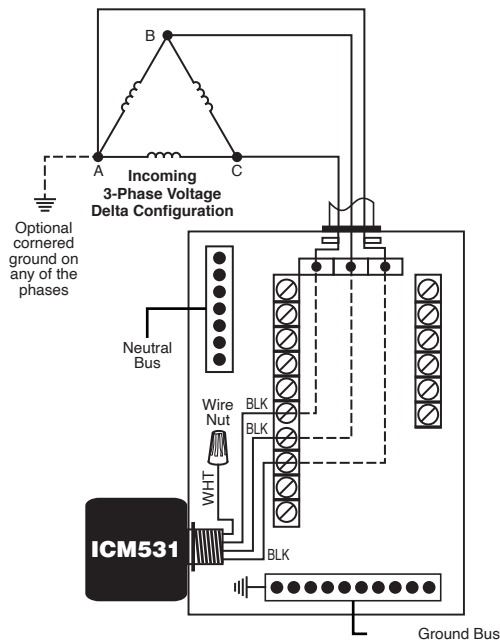
Description	Ratings												
Service Voltage (3-Phase)	480 VAC Delta OR 277/480 VAC Wye												
Short Circuit Current Rating (SCCR)	200 kA												
Nominal Discharge Current (In)	20 kA												
SPD Type	Type 1 (Can also be used in Type 2 applications)												
Surge Protection Technology	TFMOV												
Protection Mode	3 for Delta configuration 6 for Wye configuration (neutral tied to ground)												
VPR (Vpk)	<table border="1"> <thead> <tr> <th>VOLTS (V)</th> <th>MODE</th> <th>VPR (Vpk)</th> </tr> </thead> <tbody> <tr> <td>480</td> <td>L-L</td> <td>2500</td> </tr> <tr> <td>480/277</td> <td>L-L</td> <td>2500</td> </tr> <tr> <td></td> <td>L-N</td> <td>1200</td> </tr> </tbody> </table>	VOLTS (V)	MODE	VPR (Vpk)	480	L-L	2500	480/277	L-L	2500		L-N	1200
VOLTS (V)	MODE	VPR (Vpk)											
480	L-L	2500											
480/277	L-L	2500											
	L-N	1200											
Maximum Continuous Operation Voltage (MCOV)	L-L: 700 VAC L-N: (for Wye configuration only): 350 VAC												
Input Power Frequency	50/60Hz												
Diagnostics	Green LED indicates surge protection present												
Enclosure Rating	NEMA/Type 4X water tight plastic enclosure for outdoor and indoor installation												
Installation Point	Electrical panel/disconnect												
Dimensions	4.3" X 4.1" X 2.3"												
Operating Temperature	-40°F to 185°F (-40°C to 85°C)												
Operating Humidity	Less than 85%, noncondensing												
Operating Altitude	Less than 2000 meters												
Agency Certification and Approvals	ANSI/UL1449 4th Edition Listed Device cULus Listed												

Wiring Diagrams – Delta Configuration

Type 1 Wiring – Fuse Disconnect



Type 2 Wiring – Circuit Breaker



Note 1:

For the ease of checking the SPD protection status, the LED display should face outwards after installation has been complete.

Note 2:

ICM531 is a Type 1 and 2 SPD, designed to be compatible with 3-phase Delta and 3-phase Wye voltage configuration. Please check your supply voltage configuration and voltage levels before installing the **ICM531** per wiring diagram.

Note 3:

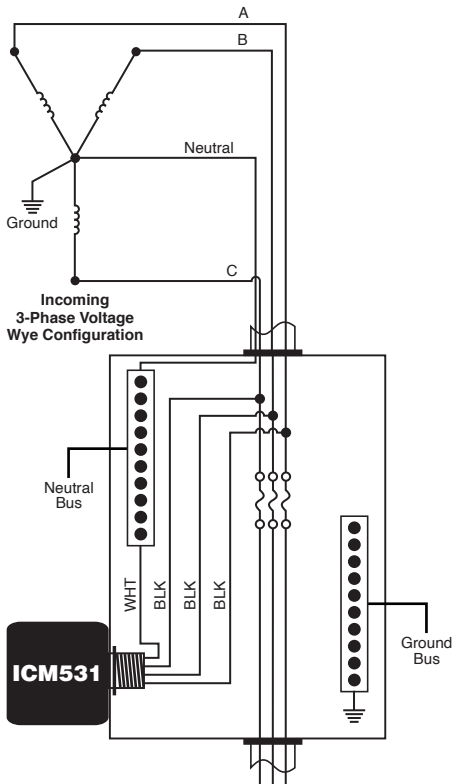
- When installing the Surge Protecting Device (SPD), avoid sharp bends in the conduit and long line sets.
- Keep the mounting conduit straight and short in length

Legend:

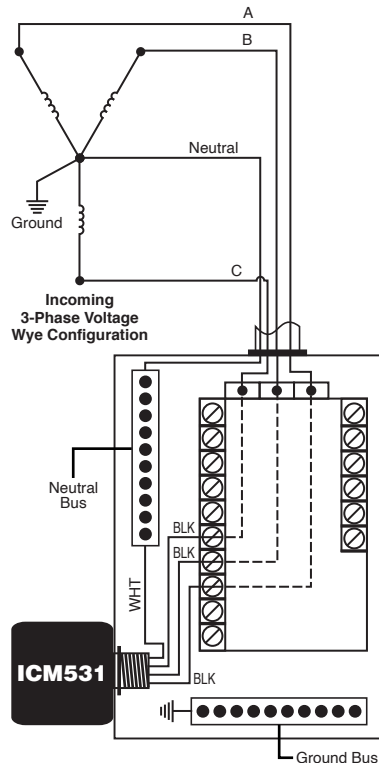
- BLK** Black
- WHT** White
- A,B,C** Incoming phase
- ⏏ Ground

Wiring Diagrams – Wye Configuration

Type 1 Wiring – Fuse Disconnect



Type 2 Wiring – Circuit Breaker



Note 1:

For the ease of checking the SPD protection status, the LED display should face outwards after installation has been complete.

Note 2:

ICM531 is a Type 1 and 2 SPD, designed to be compatible with 3-phase Delta and 3-phase Wye voltage configuration. Please check your supply voltage configuration and voltage levels before installing the **ICM531** per wiring diagram.

Note 3:

- When installing the Surge Protecting Device (SPD), avoid sharp bends in the conduit and long line sets.
- Keep the mounting conduit straight and short in length

Legend:

- BLK** Black
- WHT** White
- A,B,C** Incoming phase
- ⏏ Ground