

INSTALLATION, OPERATION & APPLICATION GUIDE

For more information on our complete range of American-made products – plus wiring diagrams, troubleshooting tips and more, visit us at www.icmcontrols.com



FEATURES

- Starting current reduction and self-learning algorithm
- Built-in start capacitor
- Over-current protection
- Over/under voltage monitoring
- Diagnostic indicators
- Sealed enclosure

SPECIFICATIONS

Semi-Conductor Soft-Start Motor Controller, Form 2, Bypassed Controller

- SCCR: 5kA
- Uimp = 4kv
- Ue = 240 VAC
- Pollution degree 3
- Ui = 240 VAC

Input (L1, L2) – 100-240 VAC 50/60Hz

- Over voltage limits:** 115 VAC nominal = 140 VAC, 240 VAC nominal = 264 VAC
- Under voltage limits:** 115 VAC nominal = 95 VAC, 240 VAC nominal = 195 VAC

Outputs: Compressor

- Solid state/relay
- Current: Max. nominal = 32A
- Over current limits: ICM870-32A = 40A

Environmental:

- Ambient temperature:** 40°C @ 32 FLA, 8 hour duty
- Storage temperature:** -40°F to 149°F (-40°C to 65°C)
- Humidity:** 0-95% non-condensing
- Enclosure:** IP65
- Dimensions:** 7.94" x 4.20" x 2.10"
- Screw hole center points:** 7.36" x 2.97"

IMPORTANT SAFETY INFORMATION



HIGH VOLTAGE WARNING – Always turn off power at the main service panel before installing.

CAUTION: The ICM870-32A must be mounted in an area where it will not be exposed to water or the elements. Exposure of the ICM870-32A soft start to water can cause failure of the control and is a risk for fire or other electrical safety hazards.

Suitable for use on a circuit capable of delivering not more than 5,000 rms symmetrical Amperes, 240 V maximum when protected by a circuit breaker having not more than 40 A, 240 volts maximum

Installation of any ICM870-32A soft start must be done by a certified HVAC technician or licensed electrician. All installations are to be done in accordance with local, state, and national electrical codes.

APPLICATION

The **ICM870-32A** is intended for Marine, Recreational Vehicle, HVAC and commercial applications. The **ICM870-32A** integrates compressor in-rush current over startup time, thus reducing peak current demand on a power supply source (generator or other). The **ICM870-32A** will monitor system health including voltage, current, compressor startup and self integrity. Upon a fault condition, the **ICM870-32A** will halt operation and initiate a 3 minute anti-short cycle routine while providing diagnostic fault information by means of an LED indicator.

ICM870-32A COMPARABLE AMPERAGE CROSSES

The **ICM870-32A** model crosses to the comparable amperage models from the following manufacturer's:

- Micro-Air (Easy Start)
- Network RV (Soft Start)
- Dometic (Smart Start)
- Hyper Engineering (Sure Start)

STANDARD AND TEST RESULTS

- UL 60947-1
- IP65
- UL 60947-4-2
- CSA C22.2 NO. 60947-1
- Altitude: 2000 m
- CSA C22.2 NO. 60947-4-2

LED INDICATORS

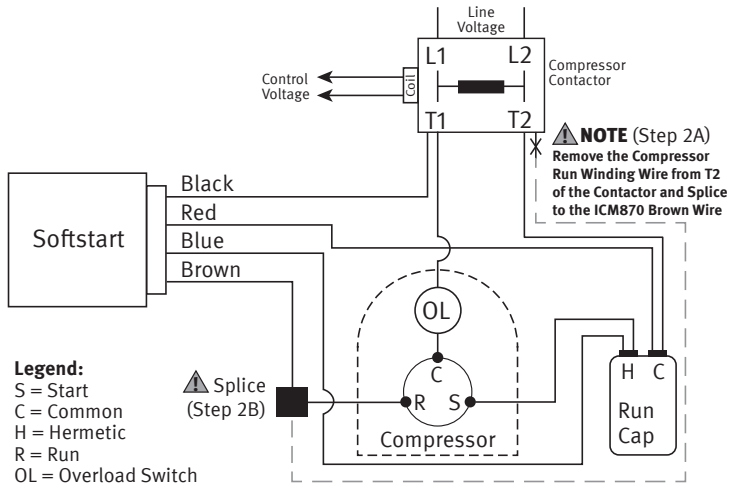
START = Green • RUN = Green • FAULT = Red (flashing)

FAULT CODES

Fault Code	Fault Condition
1	High or low voltage
2	Compressor not sensed or open fuse
3	High current
4	Compressor start error
5	Invalid operating frequency

FOR RESIDENTIAL A/C's

WIRING DIAGRAM (GENERAL LAYOUT)



Special attention should be made with respect to the termination of the field wiring leads. When these leads are terminated at a terminal, they shall terminate only at a terminal suitable for minimum 90°C wire.

INSTALLATION

- Step #1** Connect the **(ICM870 RED WIRE)** > to the run capacitor terminal (c/common/T2)
- Step #2** a) Disconnect factory installed compressor run wire from the contactor terminal (T2/L2)
b) Splice the **(ICM870 BROWN WIRE)** > to the compressor run wire previously disconnected in (Step 2A)
- If there is a Start Capacitor and or PTCR already in place, additional steps will be required to disconnect.*
- Step #3** Connect the **(ICM870 BLUE WIRE)** > to the run capacitor terminal (herm/hermetic/start)
- Step #4** Connect or splice the **(ICM870 BLACK WIRE)** > to the contactor terminal (T1)

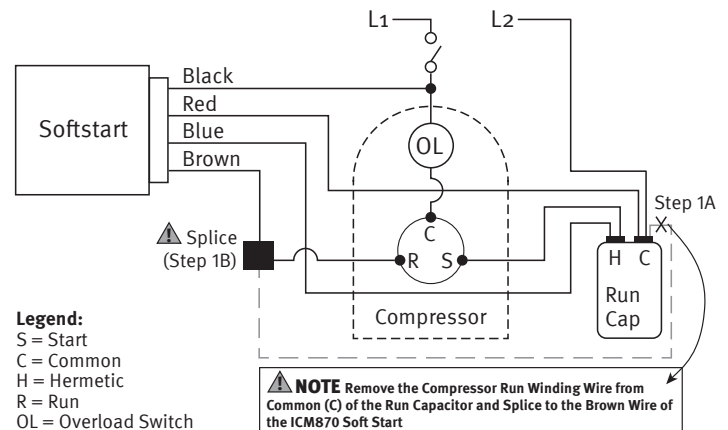
WHICH MODEL DO I NEED?

- ICM870-9A:** For AC's with a Compressor Rated Load Amps (RLA) of up to 9A
ICM870-16A: For AC's with a Compressor Rated Load Amps (RLA) of 9.1-16A
ICM870-32A: For AC's with a Compressor Rated Load Amps (RLA) of 16.1-32A

This chart reflects average conversions of Single-Phase Air Conditioning and Heat Pump Tonnage, BTU's, HP, and RLA. Please refer to your user manual or service panel to determine your actual RLA before deciding which model ICM870 you need.

FOR RV & MARINE A/C's

WIRING DIAGRAM (GENERAL LAYOUT)



INSTALLATION

- Step #1** a) Disconnect factory installed compressor run wire from the common run capacitor / L2 terminal
b) Splice the **ICM870 BROWN WIRE** > to the factory installed compressor run wire previously disconnected in step #1A.
- If there is a Start Capacitor and or PTCR already in place, additional steps will be required to disconnect them.*
- Step #2** **ICM870 RED WIRE** > to the run capacitor (c/common/L2) terminal
- Step #3** Connect the **ICM870 BLUE WIRE** > to the run capacitor (herm/hermetic/start) terminal
- Step #4** Splice the **ICM870 BLACK WIRE** > with the factory install compressor Overload Switch wire (OL/L1)

Air Conditioning & Heat Pump Loads – Average

Size	BTU	RLA	ICM870 Model
1 Ton	12,000	6	9A
2 Ton	24,000	12	16A
3 Ton	36,000	16	16A
4 Ton	48,000	22	32A
5 Ton	60,000	26	32A
6 Ton	72,000	32	32A