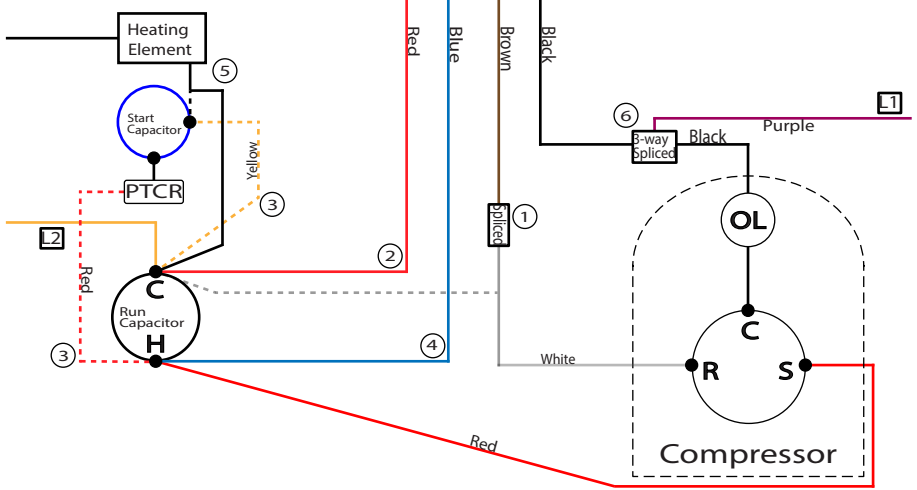


# Coleman Mach 1, 3, 3+, 10, 15 (w/o Relay)

**CAUTION!  
SHOCK HAZARD!**  
Disconnect power supply before servicing any electrical component.



Legend:  
S = Start (Disconnected)  
C = Common  
H = Hermatic  
R = Run  
OL = Overload Switch



# Coleman Mach 1, 3, 3+, 10, 15 (w/ Relay)

**CAUTION!  
SHOCK HAZARD!**  
Disconnect power supply before servicing any electrical component.



Legend:  
S = Start (Disconnected)  
C = Common  
H = Hermatic  
R = Run  
OL = Overload Switch

