

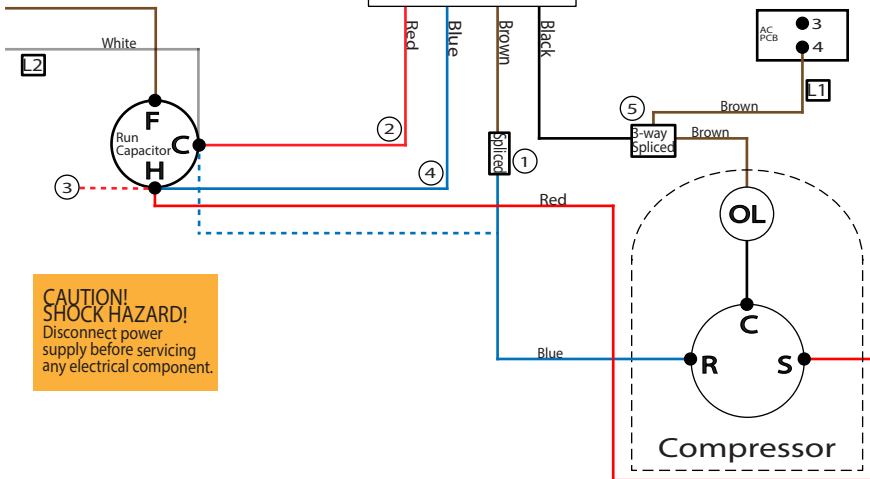
LG RV AC Relay



Legend:

- S = Start
- C = Common
- H = Hermetic
- R = Run
- OL = Overload Switch
- F = Fan

(Disconnected)



CAUTION!
SHOCK HAZARD!
Disconnect power supply before servicing any electrical component.