



Scan to see a full specifications, installation and agency certification information.

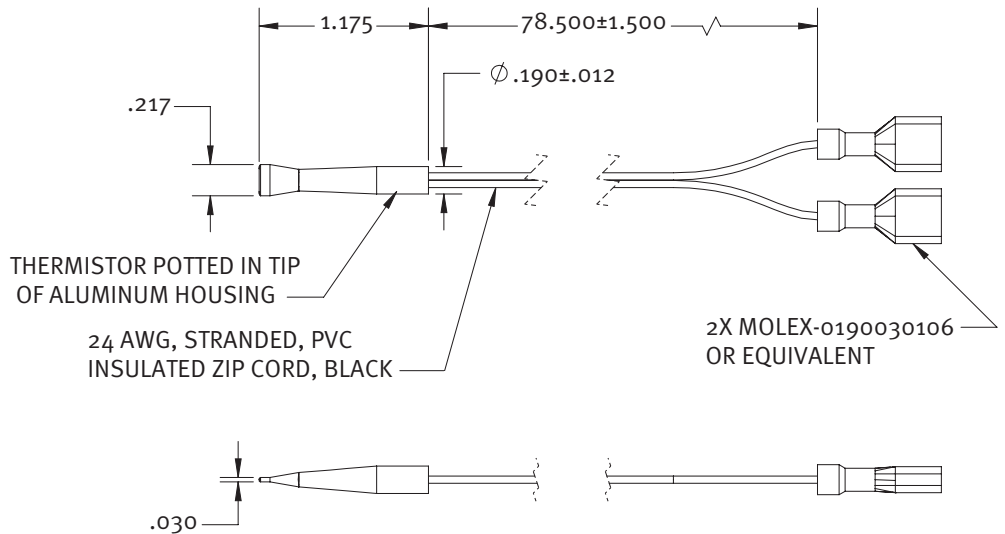
APPLICATIONS: APPLIANCE | ELECTRICAL | HVAC/R | MARINE | POOL & SPA | RV



FEATURES

- ✓ Probe for use with ICM325A head pressure controls with optional heat pump bypass feature
- ✓ 1/4" quick connects
- ✓ Length: 6' 7"
- ✓ 70°F to 100°F (21°C to 38°C)

DIMENSION DIAGRAM



Content and specifications on sell sheets subject to change without notice.